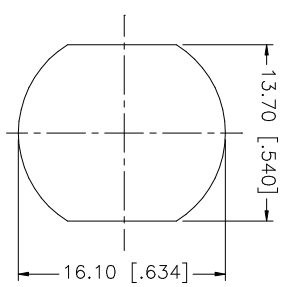
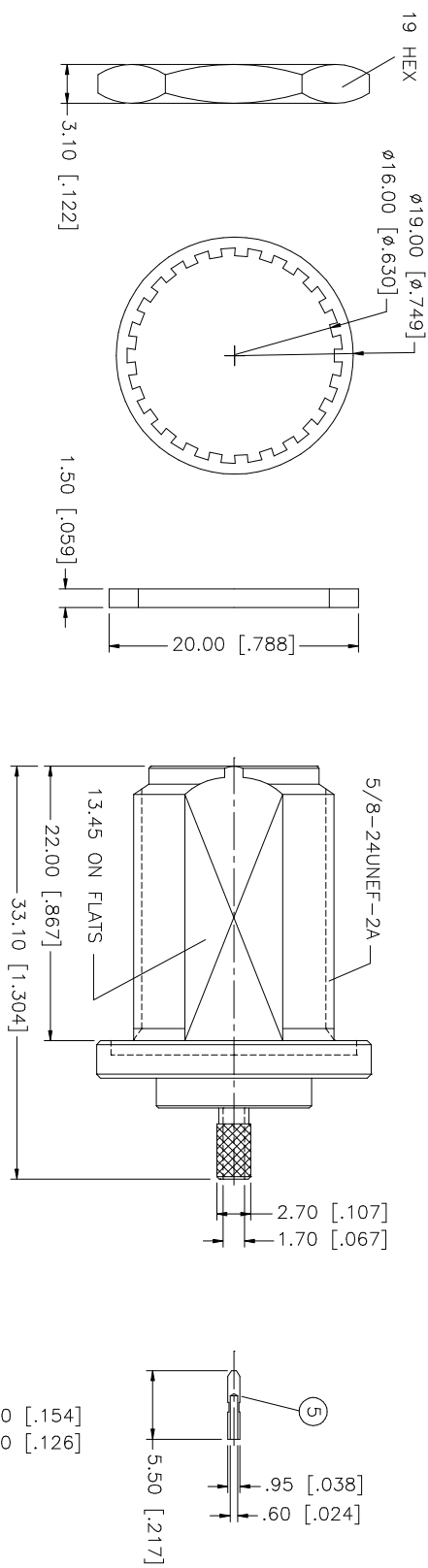
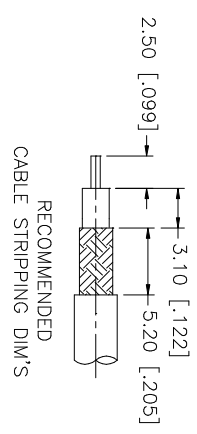


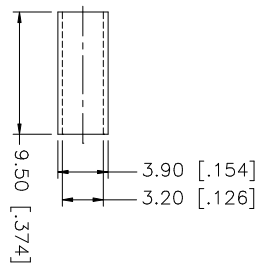
REV.	DATE	DESCRIPTION
A	04/31/03	UPDATE DRAWING FORMAT



RECOMMENDED MOUNTING HOLE DIMENSIONS



RECOMMENDED CABLE STRIPPING DIM'S



- NOTES:
1. CRIMPED FERRULE HEX CRIMP SIZE .128"
 2. CRIMPED CONTACT PIN SQ. CRIMP SIZE 0.7mm OR SOLDER
 3. MAX. PANEL THICKNESS = 6.5mm

QTY	FINISH	MATERIAL	DESCRIPTION
1	NEXCOTE	COPPER	FERRULE
1	RED	SILICONE	GASKET
1	NEXCOTE	BRASS	HEX NUT
1	NEXCOTE	BRASS	LOCK WASHER
1	GOLD	PHOS. BRONZE	CONTACT PIN
1	NATURAL	TEFLON	INSULATOR
1	NEXCOTE	BRASS	BODY

APPROVALS	DATE	PART DESCRIPTION
DRAWN G.R.S.	04/31/03	N BULKHEAD CRIMP JACK (FOR RG-174/U, 188A/U, 316/U)
CHECKED		
ISSUED		
SHEET 1 OF 1		

UNLESS OTHERWISE SPECIFIED DIMENSIONS ARE IN MILLIMETERS. DIMENSIONS IN [] ARE IN INCHES AND FOR CUSTOMER REFERENCE ONLY. TOLERANCES FOR MILLIMETERS ARE:	UNLESS OTHERWISE SPECIFIED DIMENSIONS ARE IN INCHES. DIMENSIONS IN [] ARE IN INCHES AND FOR CUSTOMER REFERENCE ONLY. TOLERANCES FOR INCHES ARE:
0.5 - 8mm ± 0.20mm	.020 - .315 ± 0.007"
8 - 30mm ± 0.40mm	.315 - 1.180 ± 0.015"
30 - 120mm ± 0.50mm	1.180 - 4.724 ± 0.020"

DO NOT SCALE DRAWING	CAD FILE	DWG. NO.	REV.	SIZE	SCALE
	C:/172/172129.DWG	172129.DWG	A	A	NA

Amphenol Connex

172129